


**FEATURES:**

- CE, EAC certified
- Universal input, wide range: 100-240 VAC/±90..380 VDC
- Adjustable DC output in the range of 12..24 V (manual adjusting by 10-turns variable resistor)
- Miniature aluminum housing
- Automatic protection: short circuit, overload
- Two LED indicators for power on and DC voltage range
- DIN-rail mounting allowed with additional DIN-holder

**SPECIFICATION**

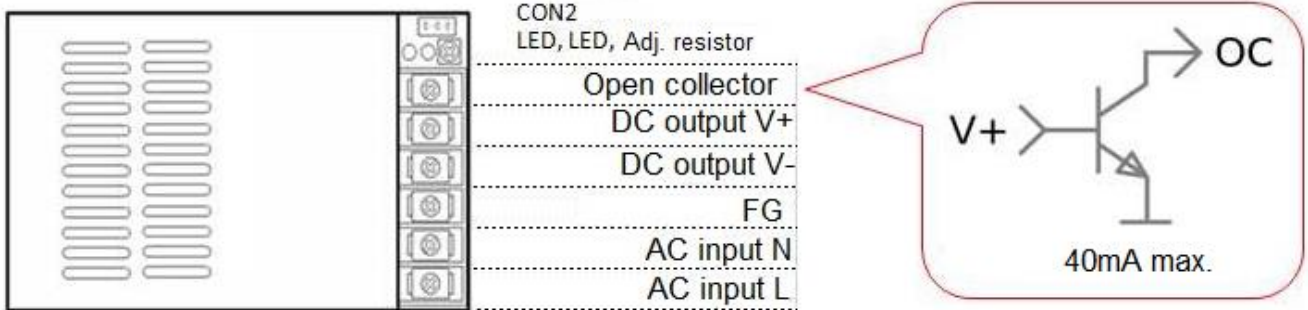
Model name		18W/12-24V/ 78AL	36W/12-24V/ 95AL	50W/12-24V/ 120AL*	75W/12-24V/ 140AL*
<b>Output</b>	Rated power	18 W	36 W	50 W	75 W
	Rated DC voltage	12-24 V			
	Maximum DC voltage range	11,5-24,5 V			
	Rated current range	1,5-0,75 A	3,0-1,5 A	4,2-2,2 A	6,25-3,15 A
	Voltage ripple and noise	≤0,5 %			
	PWM frequency	65 kHz			
	Temperature regulation	≤1 %			
	Setup, rise time	<1500 ms			
	Open collector output maximum current	40 mA			
<b>Input</b>	Voltage range	100 - 240 VAC (94 - 264 VAC max.); ±90..380 VDC			
	Frequency range	47 - 63 Hz			
	Efficiency	≥82 % (Uout = 12 V); ≥85 % (Uout = 24 V)			
	No load power consumption	≤1W			
	Inrush current	20 A max.	35 A max.		
<b>Indication</b>	Green LED (power ON)	On - output DC OK / blinking - in protection			
	Red LED (DC range)	OFF: output voltage ≤ 18 V / ON: output voltage > 18 V			
<b>Protection</b>	Maximum output power	21 W	43 W	60 W	90 W
	Short circuit, overload	Hiccup mode, recovers automatically after fault condition is removed			
<b>Environment</b>	Working temperature	-25..+ 65 °C			
	Storage temperature	-40..+85 °C (10..90% RH)			
	Working humidity	20 - 90% RH non-condensing			
	Vibration	10-500 Hz, 2G, 10 min./1 cycle, period for 60 min., each along X, Y, Z axes			
<b>Safety &amp; EMC</b>	Safety standards, EMC emission	IEC61000-3-2:2014, EN61000-3-3:2013, EN55013:2013, EN55020:2007, EN60065:2009, EN55022 Class B			
	Withstand voltage I/P-O/P	3kV / 60 s / 5 mA			
	Withstand voltage I/P-FG	1.5kV / 60 s / 5 mA			
	Withstand voltage O/P-FG	0.5kV / 60 s / 5 mA			
	Isolation resistance (I/P-O/P, I/P-FG, O/P-FG)	100 M Ohms/500 VDC/25 °C/70% RH			
<b>Others</b>	MTBF	150 000 hours			
	Dimension, mm	84 x 53 x 24	102 x 58 x 29	113 x 68 x 36	134 x 74 x 37
	DIN-rail mounting	DIN-holder is supplied separately **			
	Warranty	3 years			
	Packing	Plastic bag, white box			
	Weight	100 g	160 g	205 g	270 g

\* CON2-connector on models 50W и 75W is intended for remote on/off power supply in the case if warm reboot of a load needed. The pins 'On/Off' and 'Gnd' should be shorted and then open for DC output off/on. Pin assignment in order from the board edge: 1. Gnd; 2. V+; 3. On/Off.

\*\* DIN-holder appearance and application example:



**MECHANICAL SPECIFICATION**



**Dimensions**

Model / size	A	B	C	D	E	F	G
18W/12-24V/78AL	24	53	84	68	7	5	26.5
36W/12-24V/95AL	29	58	102	84	16	22	29
50W/12-24V/120AL	36	68	113	96	21	23	34
75W/12-24V/140AL	37	74	134	114	30	24	37

